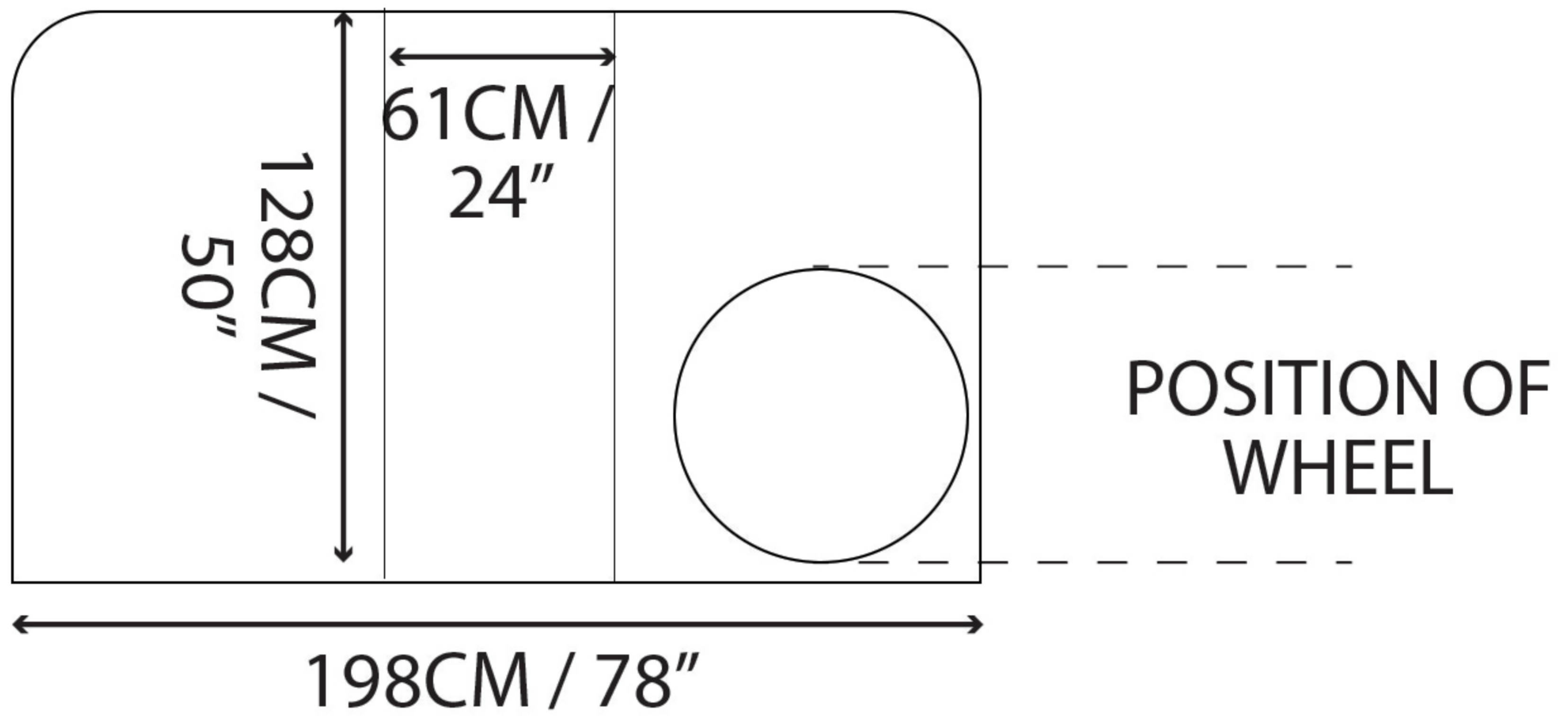


PUSH BACK VIEW



PUSH SIDE/END VIEW

